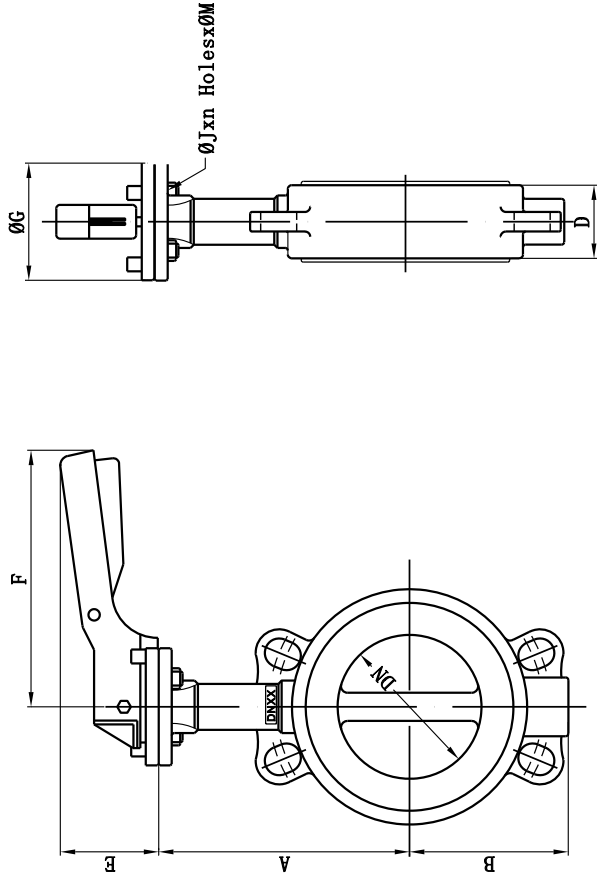


Materials Table

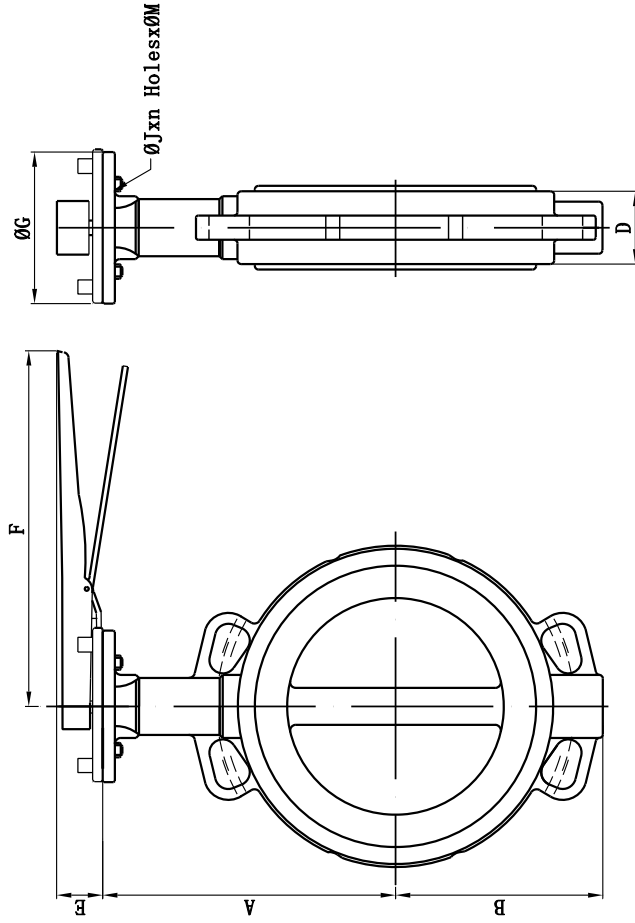
S/NO	Part Name	Material
1	Body	Cast Iron
2	Disc	Ductile Iron
3	Shaft	SS416
4	Liner	EPDM

Dimension Table

DN	A	B	D	E	F	ΦG	ΦJ	nxØM
	±2	±2	±1	±3	±2	±1	±1	
40	130	61	33	70	195	65	50	4xØ7
50	137	77	43	70	195	65	50	4xØ7
65	142	88	46	70	195	65	50	4xØ7
80	158	95	46	70	195	65	50	4xØ7
100	180	107	52	70	195	65	50	4xØ7
125	192	122	56	71	278	90	70	4xØ9
150	215	144	56	71	278	90	70	4xØ9
200	242	171	60	40	355	125	102	4xØ11
250	280	205	68	44	507	150	125	4xØ13
300	310	235	78	44	507	150	125	4xØ13



DN40-DN150



DN200-DN300

TITLE:		DRG/PART NO:	
Wafer Type Butterfly valve-Hand Lever		SP-FWV-HL-092428	
DESIGNED:	DATE: 16/1/2013	MATERIAL:	SCALE: mm
CHECKED:	LOGO:	WEIGHT:	UNIT: mm
CONTROLLED:		TOLERANCE:	REVISION: A
APPROVED:		DATE:	
AMENDMENT		AMENDMENT NO.:	